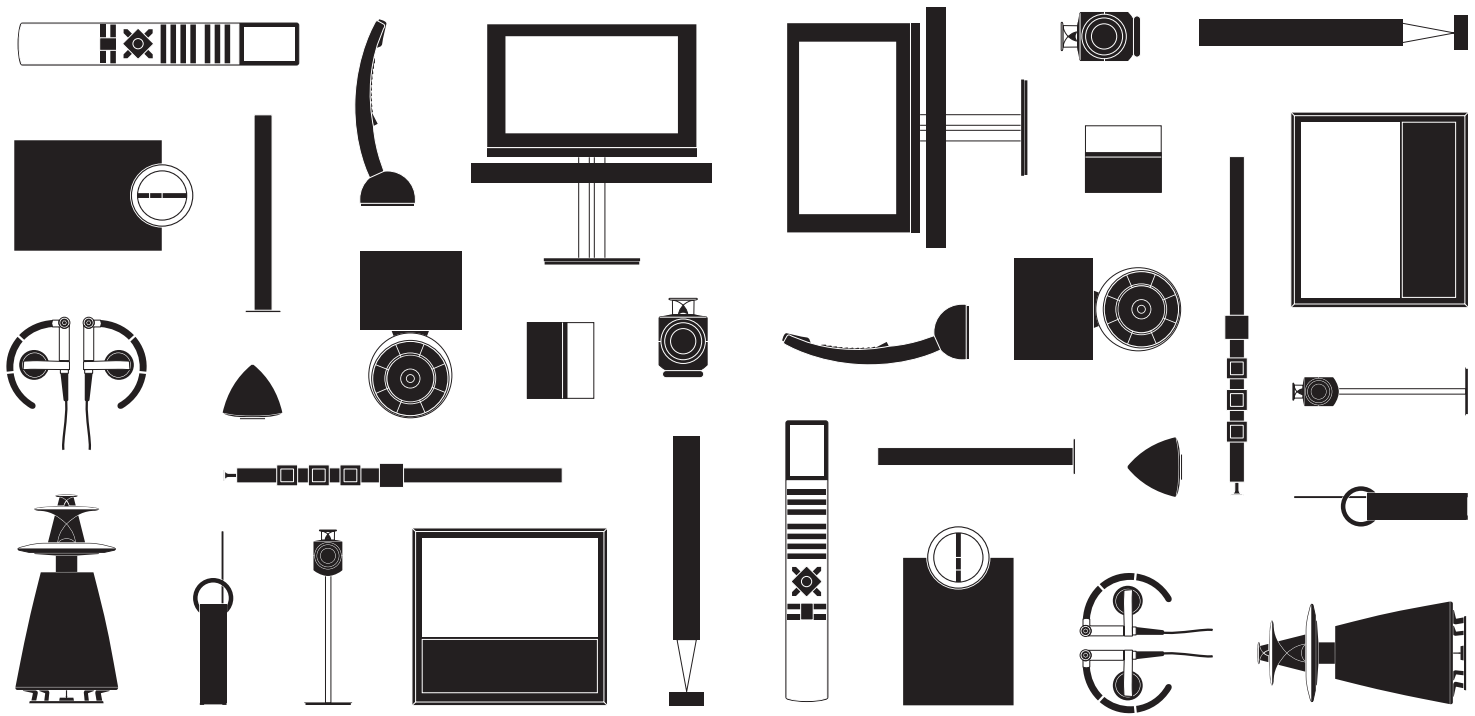


BeoVision 10



BANG & OLUFSEN

Dear Customer

This Getting Started contains information about the daily use of your Bang & Olufsen product and connected equipment. The Getting Started explains usage of more than one model, all models may not be available on your market. We expect your retailer to deliver, install and set up your product.

Your television offers more features and functions than described in this Getting Started. Among other things; Timer functions and auto standby. These and other features are described in more detail in a Guide.

The Guides are found on www.bang-olufsen.com/guides

On www.bang-olufsen.com you can also find further information and relevant FAQs about your product.

Your Bang & Olufsen retailer is your first stop for all your service queries.

To find your nearest retailer, visit our website ...

www.bang-olufsen.com

WARNING: To reduce the risk of fire or electric shock, do not expose this appliance to rain or moisture. Do not expose this equipment to dripping or splashing and ensure that no objects filled with liquids, such as vases, are placed on the equipment.

To completely disconnect this equipment from the AC Mains, disconnect the mains plug from the wall socket. The disconnect device shall remain readily operable.



The lightning flash with arrowhead symbol within an equilateral triangle, is intended to alert the user to the presence of uninsulated “dangerous voltage” within the product’s enclosure that may be of sufficient magnitude to constitute a risk of electric shock to persons.



The exclamation point within an equilateral triangle is intended to alert the user to the presence of important operating and maintenance (servicing) instructions in the literature accompanying the product.

Read these instructions.

Keep these instructions.

Heed all warnings.

Follow all instructions.

Do not use this apparatus near water.

Clean only with dry cloth.

Do not block any ventilation openings. Install in accordance with the manufacturer’s instructions.

Do not install near any heat sources such as radiators, heat registers, stoves, or other apparatus (including amplifiers) that produce heat.

Do not defeat the safety purpose of the polarized or grounding-type plug. A polarized plug has two blades with one wider than the other. A grounding type plug has two blades and a third grounding prong. The wide blade or the third prong are provided for your safety. If the provided plug does not fit into your outlet, consult an electrician for replacement of the obsolete outlet.

Protect the power cord from being walked on or pinched particularly at plugs, convenience receptacles, and the point where they exit from the apparatus.

Only use attachments/accessories specified by the manufacturer.



Use only with the cart, stand, tripod, bracket, or table specified by the manufacturer, or sold with the apparatus. When a cart is used, use caution when moving the cart/apparatus combination to avoid injury from tip-over.

Unplug this apparatus during lightning storms or when unused for long periods of time.

Refer all servicing to qualified service personnel. Servicing is required when the apparatus has been damaged in any way, such as power-supply cord or plug is damaged, liquid has been spilled or objects have fallen into the apparatus, the apparatus has been exposed to rain or moisture, does not operate normally, or has been dropped.

The mains plug of the power supply cord shall remain readily operable.

Do not expose batteries or battery packs to excessive heat such as sunshine, fire or the like.

Follow instructions to ensure correct and safe installation and interconnection of equipment in multimedia systems.

Contents

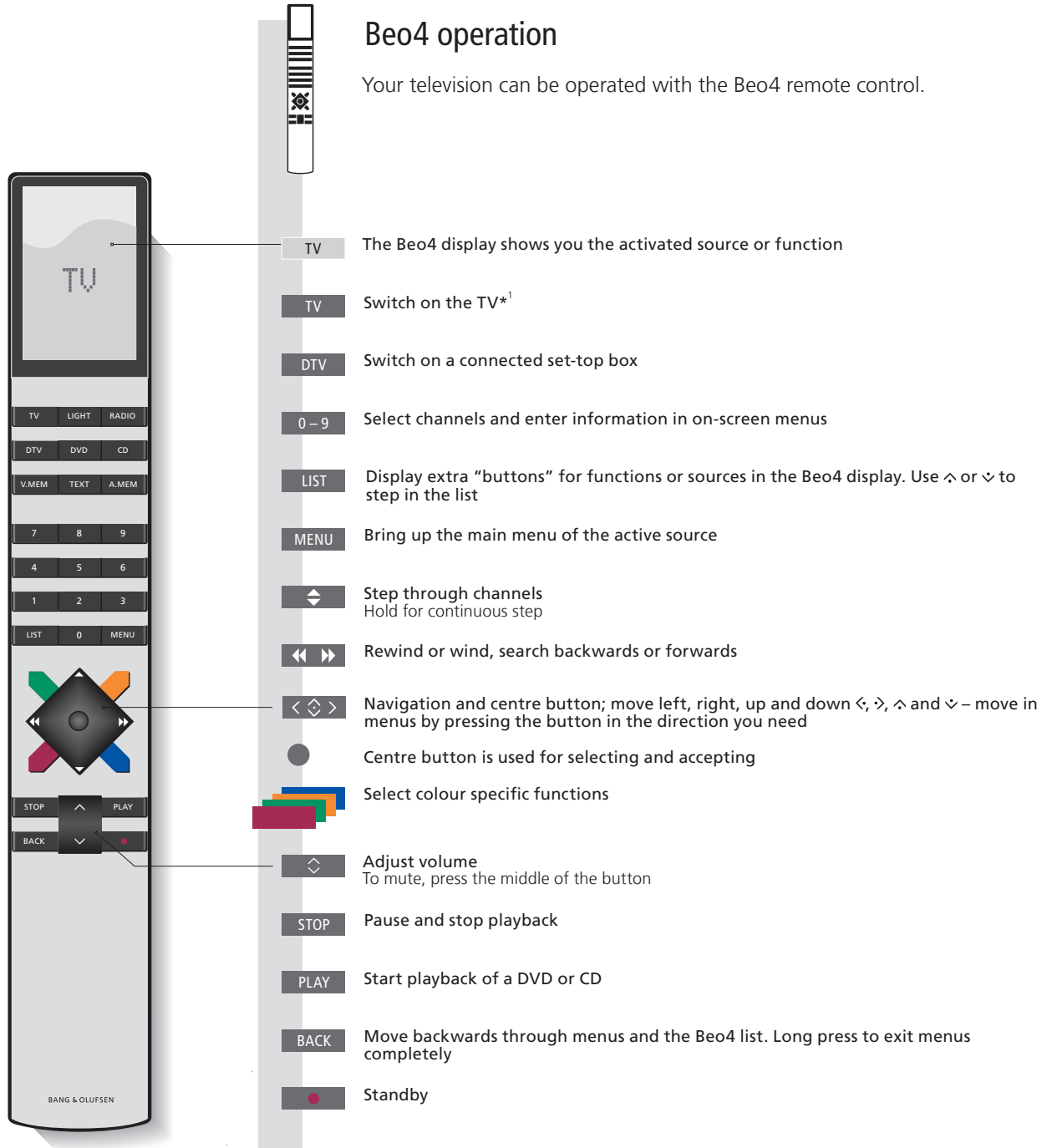
Daily use

- 6 How to use your remote control
- 8 Introduction
- 10 Change picture format and speaker combinations

Installation and setting up

- 12 Set up your television – BeoVision 10-32
- 14 Set up your television – BeoVision 10-40/46
- 15 Cleaning
- 16 Connection panels – BeoVision 10-32
- 17 Connection panels – BeoVision 10-40/46
- 18 First-time setup of your television

How to use your remote control



Beo4 operation

Your television can be operated with the Beo4 remote control.

- TV** The Beo4 display shows you the activated source or function
- TV** Switch on the TV*¹
- DTV** Switch on a connected set-top box
- 0 – 9** Select channels and enter information in on-screen menus
- LIST** Display extra “buttons” for functions or sources in the Beo4 display. Use \uparrow or \downarrow to step in the list
- MENU** Bring up the main menu of the active source
- Step through channels**
Hold for continuous step
- ◀ ▶** Rewind or wind, search backwards or forwards
- ◀ ▶** Navigation and centre button; move left, right, up and down \leftarrow , \rightarrow , \uparrow and \downarrow – move in menus by pressing the button in the direction you need
- Centre button is used for selecting and accepting
- Select colour specific functions**
- ◊** Adjust volume
To mute, press the middle of the button
- STOP** Pause and stop playback
- PLAY** Start playback of a DVD or CD
- BACK** Move backwards through menus and the Beo4 list. Long press to exit menus completely
- Standby

Important – for more information: www.bang-olufsen.com















***Beo4 buttons** Some buttons can be reconfigured during the setup process. See the Guide for further information.
NOTE! For general information about remote control operation, see the Guide enclosed with your remote control.

Beo6 operation



Your television can also be operated with the Beo6 remote control as described in this Getting Started and the Guide, but you can also operate your television with Beo5 which is operated similarly to Beo6.



-  **TV** Soft button, touch screen to select*²
Switch on a source or select a function
-  **Back up through Beo6 displays**
-  **Bring up Scene buttons, such as Zones or Speaker**
Press again to return
-  **Bring up digits to select, for example, channels**
Press again to return
-  **STOP** Pause and stop playback
-  **PLAY** Start playback of a DVD or CD
-  **BACK** Move backwards through menus. Long press to exit menus completely
-  **Select colour specific functions*³**
Press volume wheel next to the colour
-  **Turn to adjust volume**
To mute, turn quickly counter-clockwise
-  **Centre button is used for selecting and accepting**
-  **Navigation button left, right, up and down – move in menus by pressing the button in the direction you need**
-  **Rewind or wind, search backwards or forwards**
-  **Step through channels**
Hold for continuous step
-  **Standby**

²*About buttons

Light grey buttons indicate that you have to press a text in the display. Dark grey buttons indicate that you have to press a hard button.

³*Coloured buttons Actual zone

Press the wheel next to the colour to activate a coloured button.
Indicates the actual zone on Beo6 as it was named during the setup process.

Soft buttons on Beo6

Depending on the activated source, different soft buttons appear on the screen. Touch the screen to activate the function.

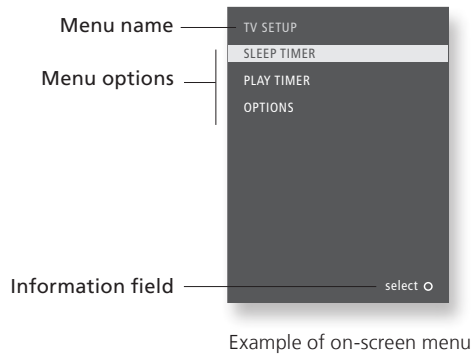
Introduction

Navigate in menus and select settings using your remote control. Pressing **MENU** twice brings up the menu for the selected source.

Display and menus

Information about the selected source is shown in the display. On-screen menus allow you to adjust settings.

TV	or	V. MEM	MENU	MENU
Switch on TV		Switch on connected equipment	Show menu	



Important

Remote control On the first pages in this Getting Started, you will find an overview of the buttons on Beo4 and Beo6. For general information about remote control operation, see the Guide enclosed with your remote control.

Navigate in menus

When a menu is on the screen, you can move between menu options, reveal settings or enter data.



Select option/
setting



Enter data



Bring up
sub-menu/
store
setting



Select option



or



Move
backwards
through menus

Press and hold to
exit menus

BEO4 SETTING menu

In the OPTIONS menu, you can bring up the BEO4 SETTING menu. In this menu you must set up your television to be operated with a Beo4 with or without a navigation button. Remember to set your Beo4 remote control to the correct mode. See the Beo4 Guide or contact your Bang & Olufsen retailer for further information. This Getting Started and the Guide describe operation with the BEO4 SETTING menu set to NAVIGATION BUTTON .

Picture format and speaker combinations

Picture settings are preset from the factory to neutral values which suit most viewing situations. However, if you wish, you can adjust these setting to your liking. You can also select different speaker combinations.

Select picture format

The TV automatically adapts the picture to fill out as much of the screen as possible when you select a source, but you can select a format yourself.

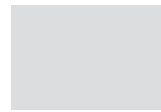


FORMAT 1



Standard*⁴
For panoramic view or 4:3

FORMAT 2



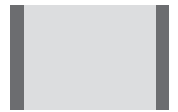
Zoom
The picture is adjusted vertically

FORMAT 3



Wide
For a genuine 16:9 widescreen picture

FORMAT 4



Extended
The bars can be removed and the picture is shown in a 16:9 format

Select speaker combinations

The TV automatically selects the optimal sound, when you select a source, but you can also select an available speaker combination yourself.



Useful hints

¹***LIST menu**

²***Optimise**

³***Move picture up or down**

⁴***Variation**

⁵***Speaker combinations**

In order to display **FORMAT** or **SPEAKER** on Beo4, you must first add it to the Beo4 list of functions.

The picture format is optimised, if you press the centre button on Beo4. On Beo6, press **Optimise**.

The picture can only be moved up or down in **FORMAT 1** and **2**.

In **FORMAT 1**, you can select variations of the format. On Beo6, press **Variation**.

If you have added only two front speakers to the TV, you will only be able to choose **SPEAKER 1-3**. See Guide for further information.

- 12 Set up your television – BeoVision 10-32
- 14 Set up your television – BeoVision 10-40/46
- 15 Cleaning
- 16 Connection panels – BeoVision 10-32
- 17 Connection panels – BeoVision 10-40/46
- 18 First-time setup of your television

Cautions

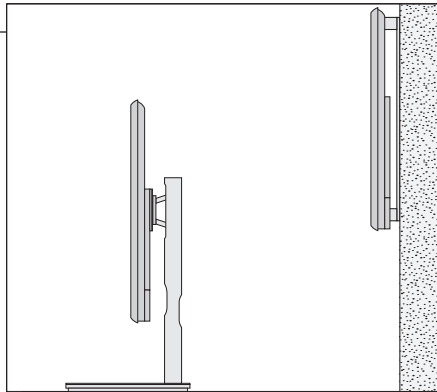
- Ensure that the television is positioned, set up and connected in accordance with the instructions in this Getting Started.
- Place your television on a firm, stable surface. To prevent injury, use Bang & Olufsen approved stands and wall brackets only!
- Do not place any items on top of your television.
- Do not subject the television to rain, high humidity or sources of heat.
- The television is intended for indoor use in dry, domestic environments only. Use within a temperature range of 10–40°C (50–105°F), and at an altitude of no more than 1,500 (5,000 ft).
- Do not place the television in direct sunlight, as this may reduce the sensitivity of the remote control receiver.
- Leave enough space around the television for adequate ventilation.
- Connect all cables before connecting or reconnecting any of the products in your system to the mains.
- No naked flame sources, such as lighted candles should be placed on the apparatus.
- To prevent the spread of fire, keep candles or other open flames away from this product at all times.
- Do not attempt to open the television. Leave such operations to qualified service personnel.
- Do not strike the glass with hard or pointed items.
- The television can only be switched off completely by disconnecting it from the wall socket.
- The supplied plug and mains cord are specially designed for the product. Do not change the plug and if the mains cord is damaged, you must buy a new one from your Bang & Olufsen retailer.

Set up your television – BeoVision 10-32

The television has several placement options. Follow the guidelines for placement and connection.

Placement options

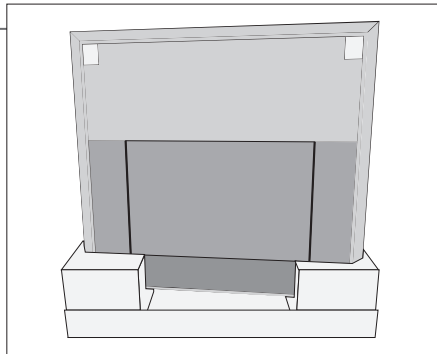
The TV can be placed on a motorised stand or mounted on a wall bracket. Refer to www.bang-olufsen.com for available stands and brackets or contact your Bang & Olufsen retailer.



Due to the weight of the TV, any moving or lifting of the TV should be performed by qualified personnel – using the proper equipment.

Handling

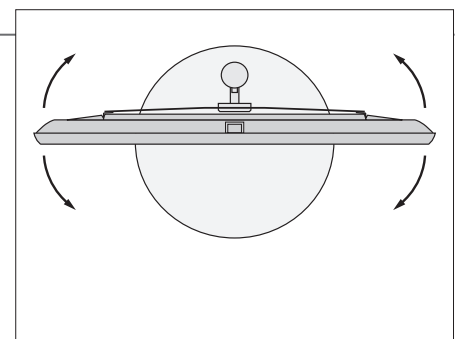
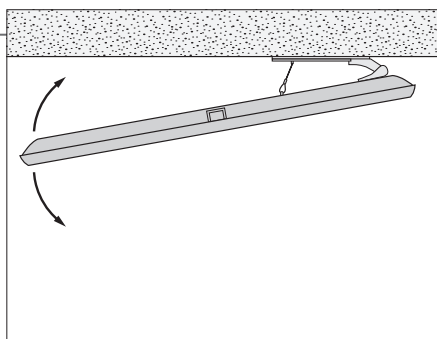
We recommend that you place the TV in the packaging while you fasten the wall bracket or the bracket for the stand to the back of the TV.



Three protection profiles have been enclosed with the TV. Use these when moving the TV to avoid scratching the frame.

Wall bracket and stand

The wall bracket can manually be turned left and/or right depending on your setup. Remember to leave enough space around the TV to allow it to turn and tilt freely.

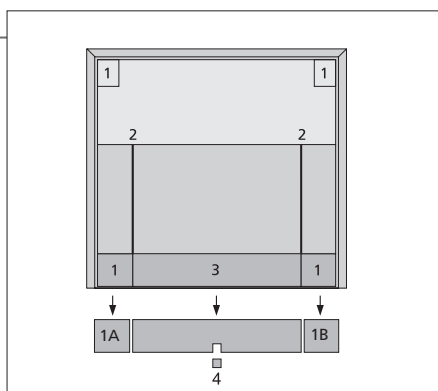


Important

- Ventilation** To ensure proper ventilation, allow enough space around the screen. Do not cover the fans. At overheating (flashing standby indicator and an on-screen warning), switch the TV to standby, not off, in order for the TV to cool down. You cannot operate the TV during this time.
- Front glass** If the front screen glass should crack or chip, or if it should be damaged in any way, it must be replaced immediately, as it could otherwise cause injury. You can order replacement front screen glass from your Bang & Olufsen retailer.

Overview

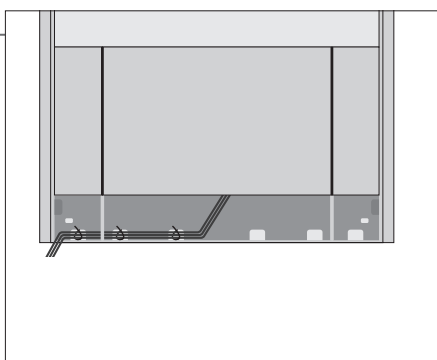
Locate the connection panel and other important items:



- 1 Mounting bracket for wall bracket.
- 2 Mounting slot for stand or wall bracket.
- 3 Cover for the connection panel. Here you also find the mains supply connection. Pull out at the bottom to remove the cover.
- 4 Depending on your setup lead the cables through the hole in the middle of the cover or remove the right (1A) or left cover (1B). The middle part of the cover can be removed using a pair of tongs.

Run cables

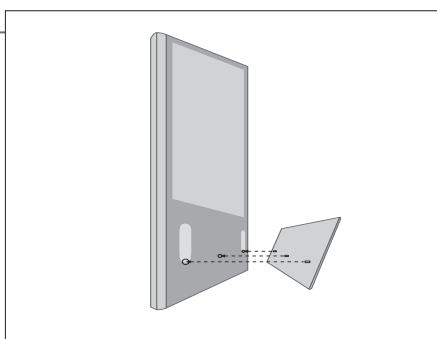
You can fasten the cables to either side or in the middle, depending on wall bracket or stand placement.



If you have a motorised stand, make sure that there is enough slack in the cables to allow the TV to turn to either side before you fasten the cables with cable strips to make a neat bundle.

Fasten the speaker cover

When the TV is placed on a wall bracket or stand you can attach the speaker cover. Hold the speaker cover with both hands and guide the pins through the holes at the bottom. Then carefully attach it to the top and adjust its position before letting go.



During cleaning it is recommended to remove the speaker cover. Avoid spraying liquid directly on the screen as this may damage the speakers, use a soft cloth instead. Carefully remove the speaker cover by supporting it in the side and at the bottom.

Cleaning

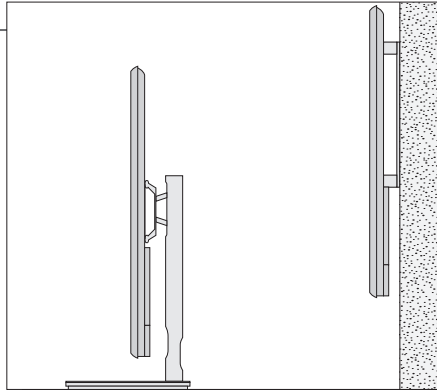
- | | |
|-----------------------------|--|
| Maintenance | Regular maintenance, such as cleaning, is the responsibility of the user. |
| Screen | Use a mild window cleaning fluid and lightly clean the screen without leaving streaks or traces. Some micro-fibre cloths may harm the optical coating due to their strong abrasive effect. |
| Cabinet and controls | Wipe dust off the surfaces using a dry, soft cloth. To remove stains or dirt, use a soft, damp cloth and a solution of water and mild detergent, such as washing-up liquid. |
| Never alcohol | Never use alcohol or other solvents to clean any parts of the TV. |

Set up your television – BeoVision 10-40/46

The television has several placement options. Follow the guidelines for placement and connection.

Placement options

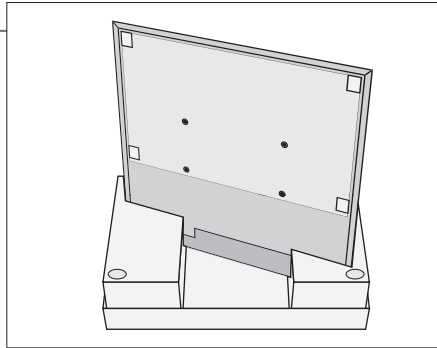
The TV can be placed on a motorised stand or mounted on a wall bracket. Refer to www.bang-olufsen.com for available stands and brackets or contact your Bang & Olufsen retailer.



Due to the weight of the TV, any moving or lifting of the TV should be performed by qualified personnel – using the proper equipment.

Handling

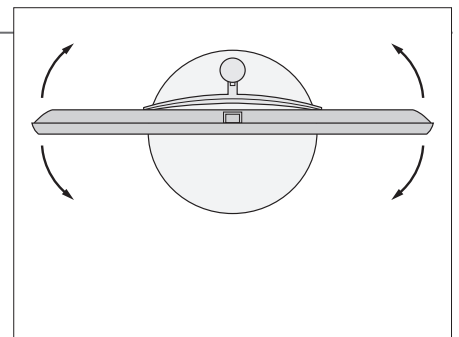
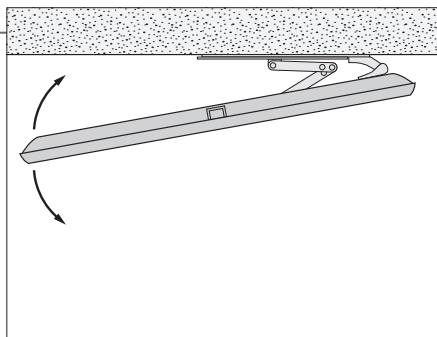
We recommend that you place the TV in the packaging while you fasten the wall bracket or the bracket for the stand to the back of the TV.



Three protection profiles have been enclosed with the TV. Use these when moving the TV to avoid scratching the frame.

Wall bracket and stand

Set the maximum angle the TV will turn on the stand. The wall bracket can manually be turned 45° left or right depending on your setup. Remember to leave enough space around the TV to allow it to turn and tilt freely.

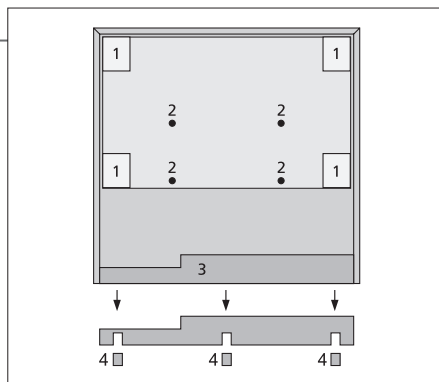


Important

- Ventilation** To ensure proper ventilation, allow enough space around the screen. Do not cover the fans. At overheating (flashing standby indicator and an on-screen warning), switch the TV to standby, not off, in order for the TV to cool down. You cannot operate the TV during this time.
- Front glass** If the front screen glass should crack or chip, or if it should be damaged in any way, it must be replaced immediately, as it could otherwise cause injury. You can order replacement front screen glass from your Bang & Olufsen retailer.

Overview

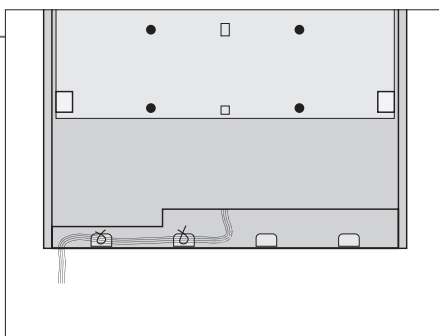
Locate the connection panel and other important items:



- 1 Mounting bracket for wall bracket.
- 2 Mounting bracket for stand.
- 3 Cover for the connection panel. Here you also find the mains supply connection. Pull out at the bottom to remove the cover.
- 4 Depending on your setup lead the cables through one of the three holes. Remove the part of the cover using a pair of tongs.

Run cables

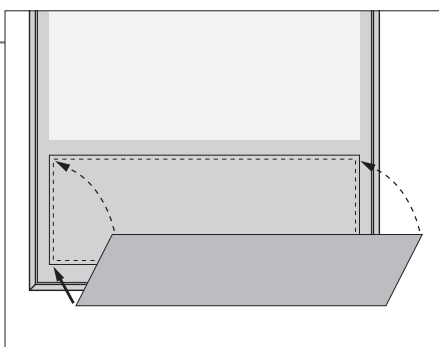
You can fasten the cables to either side or in the middle, depending on wall bracket or stand placement.



If you have a motorised stand, make sure that there is enough slack in the cables to allow the TV to turn to either side before you fasten the cables with cable strips to make a neat bundle.

Fasten the speaker cover

When the TV is placed on a wall bracket or stand you can attach the speaker cover. Hold the speaker cover with both hands and attach it at the bottom first. Then carefully attach it to the top and adjust its position before letting go.



During cleaning it is recommended to remove the speaker cover. Avoid spraying liquid directly on the screen as this may damage the speakers, use a soft cloth instead. Carefully remove the speaker cover by supporting it in the side and at the bottom.

Cleaning

Maintenance Regular maintenance, such as cleaning, is the responsibility of the user.

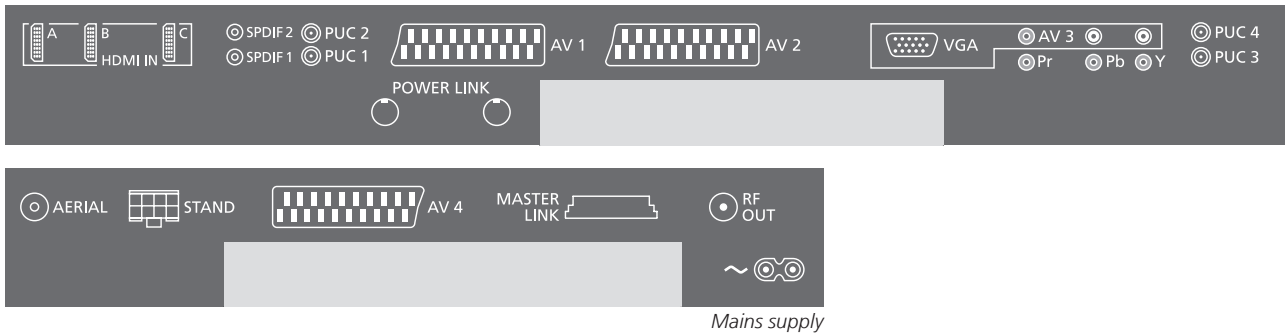
Screen Use a mild window cleaning fluid and lightly clean the screen without leaving streaks or traces. Some micro-fibre cloths may harm the optical coating due to their strong abrasive effect.

Cabinet and controls Wipe dust off the surfaces using a dry, soft cloth. To remove stains or dirt, use a soft, damp cloth and a solution of water and mild detergent, such as washing-up liquid.

Never alcohol Never use alcohol or other solvents to clean any parts of the TV.

Connection panels – BeoVision 10-32

Any equipment you connect to the main connection panel must be registered in the CONNECTIONS menu.



HDMI IN (A, B and C)

For High Definition Multimedia Interface video source or PC. The sources can be registered to any of the AV socket groups. To expand the number of HDMI sockets, connect an HDMI Expander/Matrix to the HDMI C socket.

SPDIF (1–2)

Digital audio input socket, e.g. DVD player. You can use the socket in conjunction with an AV socket or HDMI socket.

PUC (1–4)

For IR control signals to external equipment connected to an AV socket.

AV1, AV2

21-pin sockets for connection of additional video equipment, such as a DVD player, set-top box, a decoder or video recorder.

POWER LINK

Sockets for connection of a Bang & Olufsen subwoofer and/or external loudspeakers. See the Guide for further information.

VGA (AV3)

For connection of a PC to receive analogue graphics.

AV 3 (R, L, video)

For audio connection (right and left sound channel respectively) and video signals from an external source.

Y – Pb – Pr (AV2–AV4, AV6)

For video signals from an external source, e.g. HDTV source. You can use the socket in conjunction with an AV socket or a digital audio socket.

AERIAL

Not for use.

STAND

For connection of a motorised stand.

AV4

21-pin sockets for connection of additional video equipment, such as a DVD player, set-top box, a decoder or video recorder.

MASTER LINK

For a compatible Bang & Olufsen audio or video system.

RF OUT

Not for use.

~ – Mains supply

Connection to the mains supply.

Useful hints

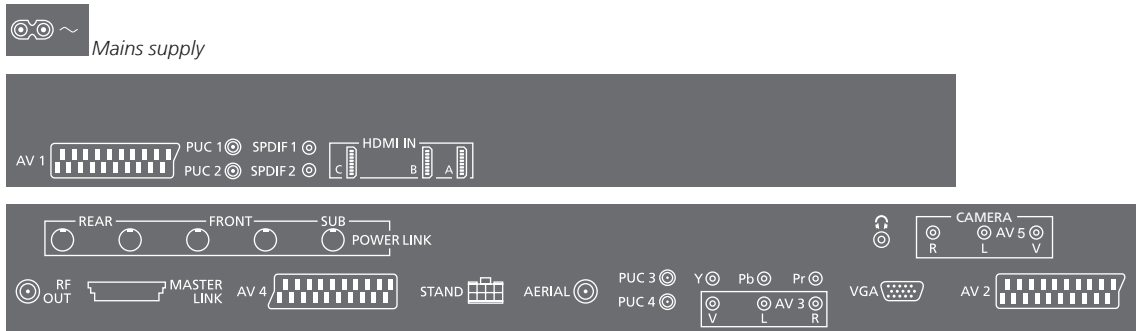
Power Saving

If POWER SAVING is set to ON in the STANDBY SETTINGS menu and the TV is in standby, the sockets AV4 and MASTERLINK are deactivated. This means that you cannot access the TV from your link room audio or video system, while the main room TV is in standby. Furthermore, it is not possible to make recordings on sources connected to AV4. See the Guide for further information.

Camera/headphone sockets

See the Guide for placement and use of the camera and headphone sockets on BeoVision 10-32.

Any equipment you connect to the main connection panel must be registered in the CONNECTIONS menu.



~ – Mains supply

Connection to the mains supply.

AV (1–2 and 4)

21-pin sockets for connection of additional video equipment, such as a DVD player, set-top box, a decoder or video recorder.

PUC (1–4)

For IR control signals to external equipment connected to an AV socket.

SPDIF (1–2)

Digital audio input socket, e.g. DVD player. You can use the socket in conjunction with an AV socket.

HDMI IN (A, B and C)

For High Definition Multimedia Interface video source or PC. The sources can be registered to any of the AV socket groups. To expand the number of HDMI sockets, connect an HDMI Expander/Matrix to the HDMI C socket.

POWER LINK (FRONT – REAR)

Use for connection of external loudspeakers in a surround sound setup. See the Guide for further information.

POWER LINK (SUB)

Use for connection of a Bang & Olufsen subwoofer.

RF OUT

Not for use.

MASTER LINK

For a compatible Bang & Olufsen audio or video system.

STAND

For connection of a motorised stand.

AERIAL

Not for use.

Y – Pb – Pr (AV2–4, 6)

For video signals from an external source, e.g. HDTV source. You can use the socket in conjunction with an AV socket or a digital audio socket.

AV3 (video, L, R)

For audio connection (right and left sound channel respectively) and video signals from an external source.

VGA (AV3)

For connection of a PC to receive analogue graphics.



Connect stereo headphones.

Note: Prolonged listening at high volume levels can cause hearing damage!

CAMERA (R, L, video, AV5)

For audio connection (right and left sound channel respectively) and video signals from an external source.

Mains cord and plug

Connect the ~ socket on the main connection panel of your TV to the wall outlet. The TV is in standby mode and ready to be used.

Use a camera or headphones

See the Guide for information about use of camera and headphones.

First-time setup of your television

This first-time setup procedure is activated when the TV is connected to the mains and switched on for the first time. If you want to change your setup at a later date, you can access the same menus and update your settings.

Switch on the TV

Wait for the TV to start up.

TV

Switch on

Select settings

You are led through the first-time setup sequence when you switch on the TV for the first time.*¹
Some menus may not appear depending on your setup.



or



Select setting

Accept and go to next menu item

MENU LANGUAGE

Set the on-screen menu language

STANDBY SETTINGS

Make standby settings for the TV

CONNECTIONS

Register connected equipment

This Getting Started describes operation with Beo4 in MODE 1 and the BEO4 SETTING menu set to NAVIGATION BUTTON, see also page 9.

Please remember to set your Beo4 with navigation button to the MODE corresponding to the setting you make in the BEO4 SETTING menu, see the Beo4 Guide for further information.

Information

- Connections** Select the type of equipment connected to each socket, the sockets used, the product name, and the source name.
- TV positions** Position 1 is the far left position and Position 9 is the far right. Position 5 is the centre position.

¹*NOTE! When you have selected the preferred settings in a menu, you may have to press the green button to continue to the next menu in the first-time setup procedure. Follow the on-screen instructions.

Calibrate the stand

Set the maximum angle the TV will turn – left and right. The motorised movement of the TV will not work until the calibration process has been completed. You can only tilt the TV manually.

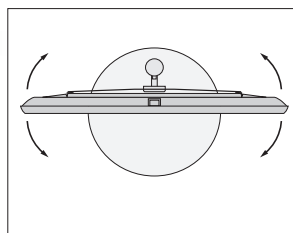
STAND ADJUSTMENT



Set stand positions

Set preferred preset position for the TV to turn to, when it is switched on and off.

STAND POSITIONS



Speaker setup

Set up the speakers to optimise sound from your listening position.

SPEAKER TYPE

First-time setup of loudspeakers applies only to speakers for TV viewing.

SPEAKER DISTANCE^{*2}

See the Guide for further information.

SPEAKER LEVEL^{*2}

ADJUSTMENT

Adjust volume, bass, treble and loudness and preset two default speaker combinations. Select a different speaker combination at any time.

Calibration You need to calibrate the stand before you can use the motorised movement of the stand.

²***Speaker settings** The menus SPEAKER DISTANCE and SPEAKER LEVEL are only available on BeoVision 10-40/46.

NOTE! If you have other equipment connected to your television, set POWER SAVING to OFF. See the Guide for further information.



Manufactured under license from Dolby Laboratories. Dolby, Pro Logic, and the double-D symbol are registered trademarks of Dolby Laboratories. Confidential unpublished works. Copyright 1992–2003 Dolby Laboratories. All rights reserved.



Manufactured under license under U.S. Patent #'s: 5,451,942; 5,956,674; 5,974,380; 5,978,762; 6,487,535; 7,003,467; 7,212,872 & other U.S. and worldwide patents issued & pending. DTS, DTS Digital Surround, ES, and Neo:6 are registered trademarks and the DTS logos, and Symbol are trademarks of DTS, Inc. © 1996–2008 DTS, Inc. All Rights Reserved. U.S. Patent's 6,836,549; 6,381,747; 7,050,698; 6,516,132; and 5,583,936



This product is in conformity with the provisions of the Directives 2004/108/EC and 2006/95/EC.

This product incorporates copyright protection technology that is protected by U.S. patents and other intellectual property rights. Use of this copyright protection technology must be authorized by Rovi, and is intended for home and other limited viewing uses only unless otherwise authorized by Rovi. Reverse engineering or disassembly is prohibited.

HDMI, the HDMI logo and High-Definition Multimedia Interface are trademarks or registered trademarks of HDMI Licensing LLC.

For the US-market only!

NOTE: This equipment has been tested and found to comply with the limits for a class B digital device, pursuant to part 15 of the FCC Rules. These limits are designed to provide reasonable protection against harmful interference in a residential installation.

This equipment generates, uses and can radiate radio frequency energy and, if not installed and used in accordance with the instructions, may cause harmful interference to radio communications. However, there is no guarantee that interference will not occur in a particular installation. If this equipment does cause harmful interference to radio or television reception, which can be determined by turning the equipment off and on, the user is encouraged to try to correct the interference by one or more of the following measures:

- Reorient or relocate the receiving antenna.
- Increase the separation between the equipment and receiver.
- Connect the equipment into an outlet on a circuit different from that to which the receiver is connected.
- Consult the retailer or an experienced radio/TV technician for help.

For the Canadian market only!

This class B digital apparatus meets all requirements of the Canadian Interference-Causing Equipment Regulations.

Waste Electrical and Electronic Equipment (WEEE) – Environmental protection

Electrical and electronic equipment, parts and batteries marked with this symbol must not be disposed of with normal household waste; all electrical and electronic equipment, parts and batteries must be collected and disposed of separately.

When disposing of electrical and electronic equipment and batteries by use of the collection systems available in your country, you protect the environment, human health and contribute to the prudent and rational use of natural resources. Collecting electrical and electronic equipment, batteries and waste prevents the potential

contamination of nature with the hazardous substances which may be present in electrical and electronic products and equipment. Your Bang & Olufsen retailer will advise you of the correct way of disposal in your country.

If a product is too small to be marked with the symbol, it will appear in the User guide, on the Guarantee certificate, or on the packaging.

All Bang & Olufsen products comply with applicable environmental legislation throughout the world.



351080311020000

